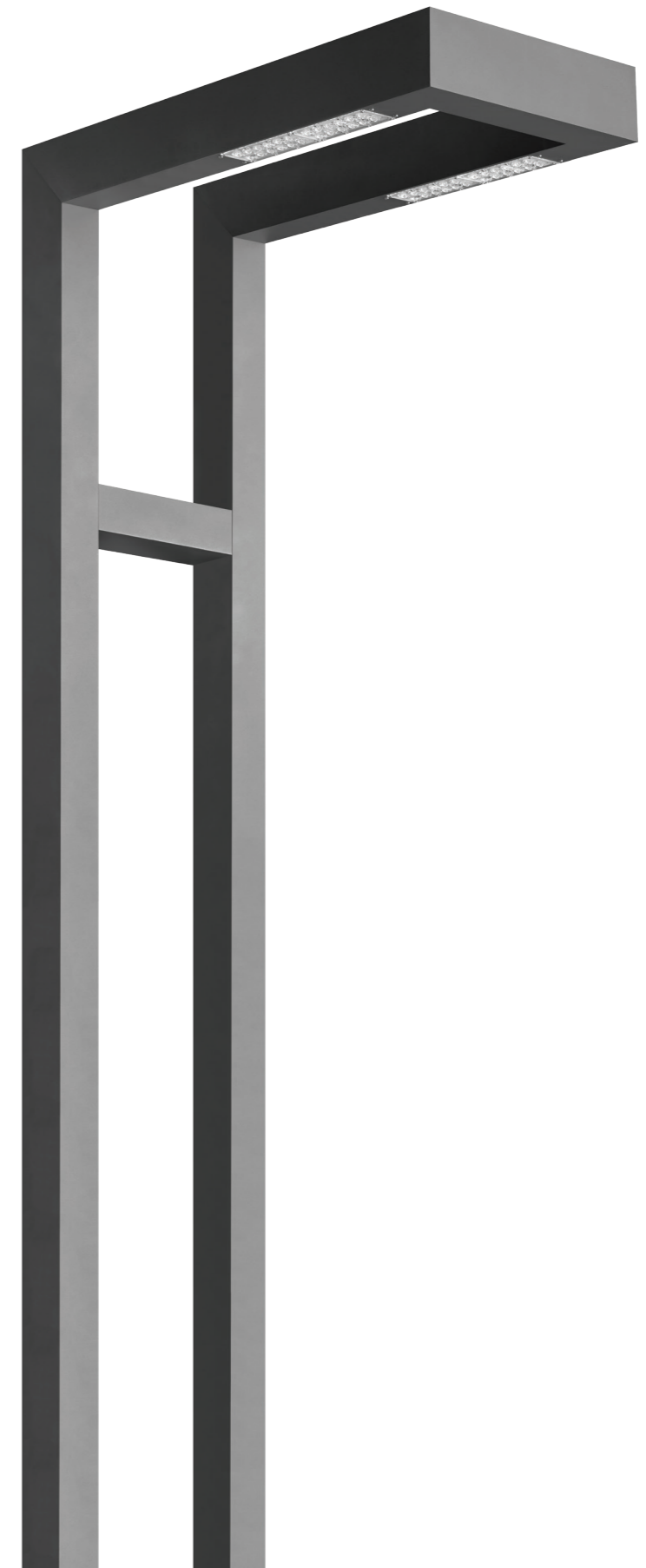


# TOLENA

ARTISTRY IN DISGUISE



Unique design and optical flexibility of Tolena makes it a great choice along with its complementary bollard Lena.



# TOLENA

## TECHNICAL SPECIFICATIONS

### GENERAL HIGHLIGHTS

- Optimized landscapes areas light distribution
- Operating Temperature -40°C / +55°C
- Superior thermal management
- In compliance with EN 60598, EN 62722

### ELECTRICAL PROPERTIES

- Drive current: 350mA
- Optimized PCB Design
- Energy class: A
- Power factor: > 0.90
- Input Voltage: 220V - 240V, 120V - 277V (optional) at 50Hz / 60Hz
- Control type: On/Off, 1-10V (optional), DALI (optional), DynaDIM (optional)
- Surge protection: 10kV (optional)

### OPTICAL PROPERTIES

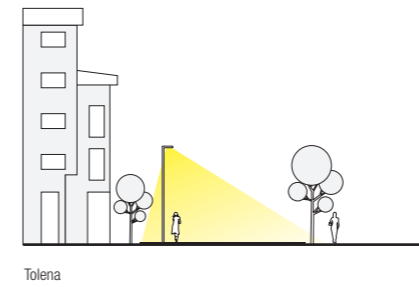
- Equipped with high efficiency LED chips
- Optimized symmetrical lighting distribution
- Glare minimizing diffusor
- Quarter bin LED chips
- Lumen output (absolute photometry): 4800lm - 5200lm
- Color temperature: 3000K, 4000K, 2700K (optional)
- CRI > 70 (4000K), CRI > 80 (3000K)
- Photobiological safety: Risk Group 1
- Efficacy (absolute photometry): 95 lm/W (4000K at 350mA)
- ULOR: 0%

### BODY HOUSING & FINISH

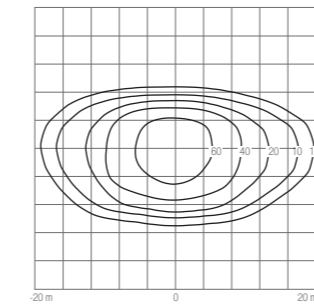
- Corrosion resistant aluminum housing
- Electrostatic powder coating
- HM1 to HM6 standard colors with optional RAL codes
- Ingress protection: IP65
- Impact protection: IK05

### EXTRAS

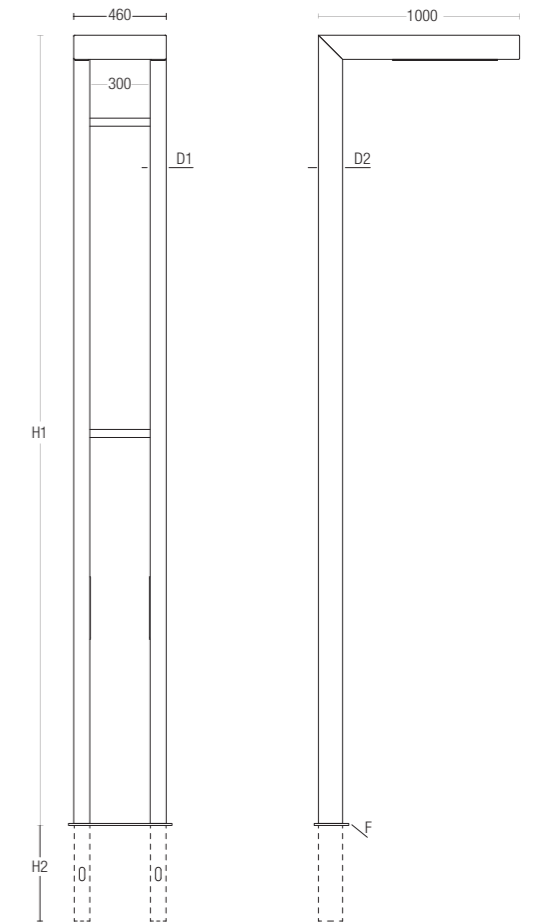
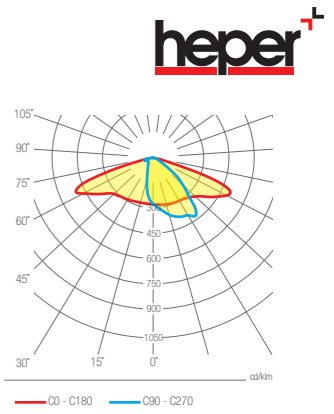
- Higher CRI LED chips
- Marine grade body
- IP rated terminal box



Tolena



Tolena



Landscape Areas



LUMINAIRE				
CODE	DESCRIPTION	POWER (350 mA)	LUMEN	COLOR TEMPERATURE
LP4071.554	Tolena	54W	4800lm - 5200lm	3000K / 4000K

POLES							
CODE	DESCRIPTION	H1	H2	D1	D2	ANCHORAGE	FLANGE COVER
PABD.R02.T002	Aluminum Double Rectangle Pole Buried	4000	-	80	120	-	-
PAFD.R02.T002	Aluminum Double Rectangle Pole Flanged	4000	1000	80	120	627J016	-